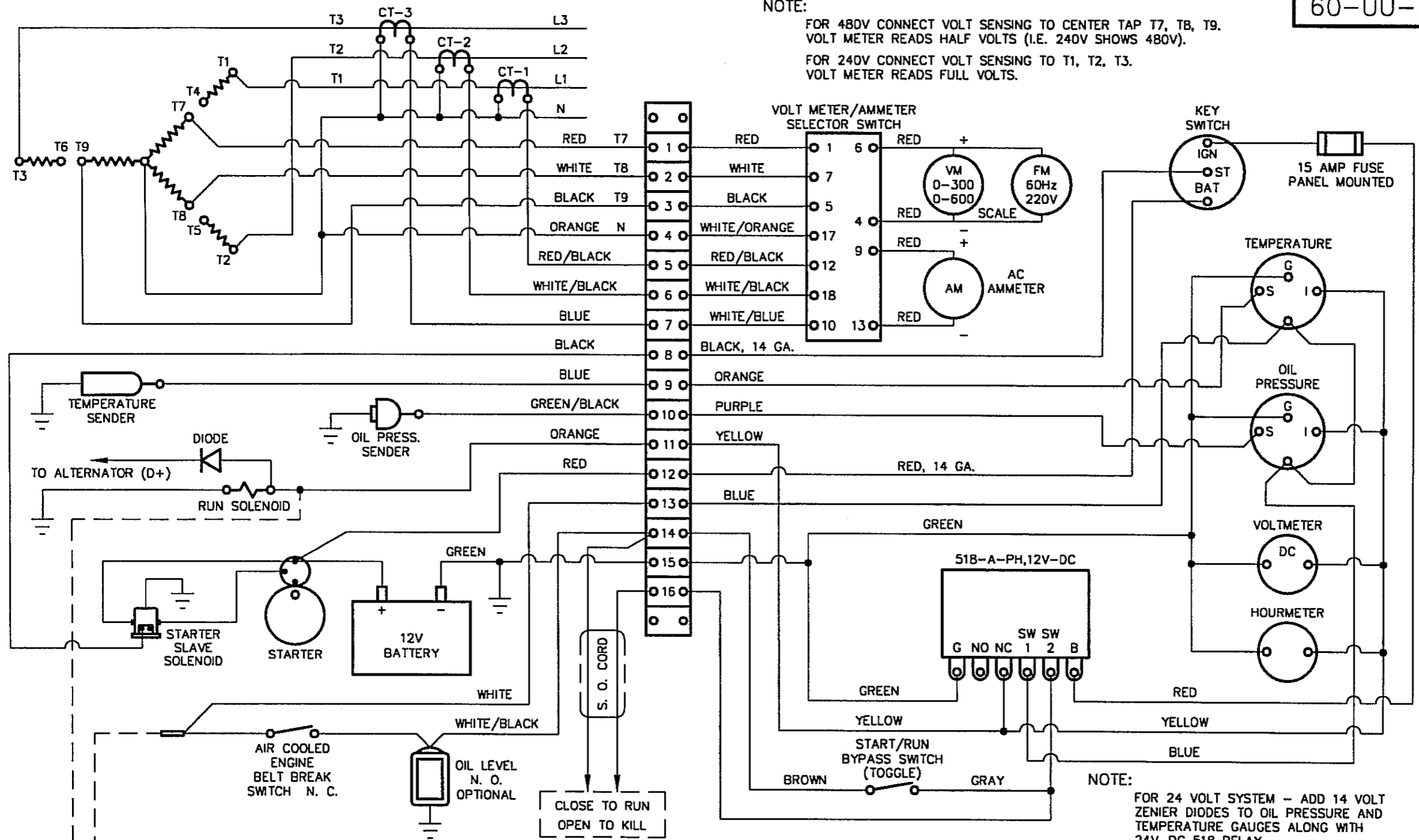
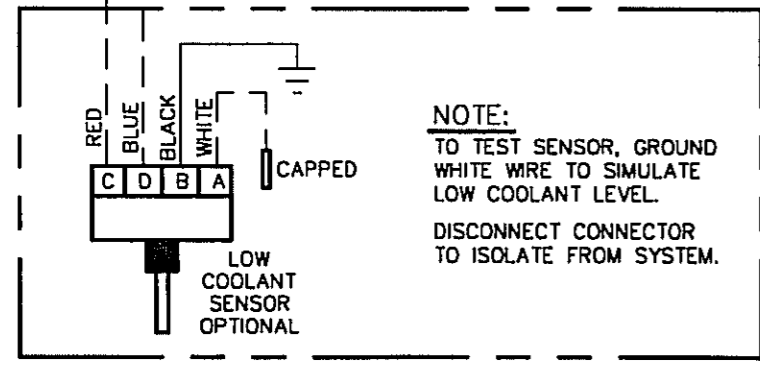


NOTE:  
 FOR 480V CONNECT VOLT SENSING TO CENTER TAP T7, T8, T9.  
 VOLT METER READS HALF VOLTS (I.E. 240V SHOWS 480V).  
 FOR 240V CONNECT VOLT SENSING TO T1, T2, T3.  
 VOLT METER READS FULL VOLTS.



NOTE:  
 FOR 24 VOLT SYSTEM - ADD 14 VOLT ZENIER DIODES TO OIL PRESSURE AND TEMPERATURE GAUGES ALONG WITH 24V-DC 518 RELAY.



## SCHEMATIC, GE-2 PANEL, 3 PHASE, CLOSE - TO - RUN, W/LOW COOLANT SENSOR

|                     |              |                |          |
|---------------------|--------------|----------------|----------|
| <br>SIoux FALLS, SD | DATE         | DRAWING NUMBER | REVISION |
|                     | 17DEC2002    | 60-UU-261      | B        |
| SCALE               | SHEET 1 OF 1 |                |          |
| 1=1                 |              |                |          |